

TY2 BSM C

TRINITY Tap Range

Trinity 2 Bath Shower
Mixer Chrome



Features:

- Uniquely designed Timeless detailing for traditional bathrooms.
- Hand-finished handles using precision watchmaker techniques.
- Metal fixing nut for added durability

Product Certifications:



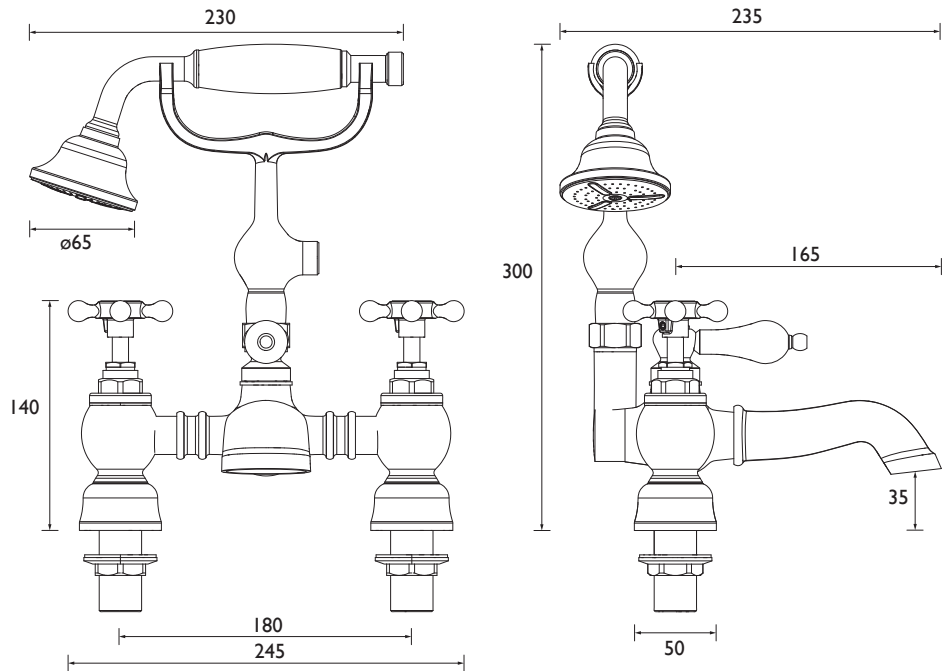
For more products, visit our website:
<http://www.bristan.com>



Specification

Product Type:	Bathroom Taps
Main Construction Material:	Brass
Mount Type:	Deck
Handle Type:	Traditional
Connection Inlet:	3/4" BSP
Connection Outlet:	G 1/2"
Number of Tap Holes:	2
Valve/Cartridge Type:	3/4" Compression Valve
Plumbing System Requirements:	Suitable for all plumbing systems
Minimum Dynamic Pressure (bar):	0.2 bar
Maximum Dynamic Pressure (bar):	5 bar
Maximum Hot Water Temperature °C:	65°C
Maximum Static Pressure (bar):	10 bar
Flow Type:	Single
Isolation Included:	No

Dimensions (measurements in mm)



Flow Rates (l/min)

System Pressure (bar)	0.2	0.5	1	2	3	5
Through Bath Filler (mixed)	32	50.6	71.5	101.2	123.9	160
Through Handset (mixed)	4.7	7.4	10.5	14.9	18.2	23.5

TECHNICAL
DATA
SHEET



BRISTAN

D3